

# OPERATION MANUAL FOR POWER CONTROLLER

- **SKD-1** (in : 115V out : 24V ; 32V)
- **SKD-2** (in : 230V out : 24V ; 32V)

**LOW VOLTAGE METAL ASSEMBLY  
SCREWDRIVER CONTROLLER**

**Power Supply**

For Metal Assembly Screwdriver:

**SKD-2000 SKD-2200 SKD-2300 SKD-5200L SKD-5200P**

**WARNING !****READ ALL INSTRUCTIONS**

Before using your equipment be sure to read the operation manual Of the electric screwdriver and that of the power supply for it.

Disconnect the Controller Power Cord from the receptacle before Performing any maintenance on this tool.

Do not attempt to repair this tool unless you are a qualified electrician.

When using electric tools, basic safety precautions should always be Followed to reduce the risk of fire, electric shock and personal injury, Including the following.

**Points of caution during usage****1. Important Safety Instructions****2. Grounding Instructions****3. Installation Instructions****4. Operations Cautions****5. Specifications****6. Servicing**

## 1. Important Safety Instructions

- 1) **Keep work area clean**  
Cluttered areas and benches invite injuries.
- 2) **Consider work area environment**  
Do not expose the Controller to water. Keep work area well lit.
- 3) **Guard against electric shock**  
Prevent body contact with grounded surfaces, such as pipes, metal structures or other electrical products.
- 4) **Keep children away**  
Do not let visitors touch the tool or extension cord. All visitors should be kept away from work area.
- 5) **Store idle controller**  
When not in use, the controller should be stored in a dry, and secured area.
- 6) **Do not force the controller**  
It will do the job better and safer at the rate for which it was intended.
- 7) **Use the right controller**  
Do not force small controller or attachments to do the job of a heavy duty controller. Do not use controller for purposes not intended; for example, do not use circular saws to cut tree limbs or logs.
- 8) **Dress properly**  
Do not wear loose clothing or jewellery, they can be caught in moving parts.  
Rubber gloves and non-slip footwear are recommended when working outdoors.  
Wear protecting hair covering to contain long hair.
- 9) **Use safety glasses**  
Also use face or dust mask if the cutting operation is dusty.
- 10) **Connect dust extraction equipment**  
If devices are provided for the connection of dust extraction and collection facilities ensure these are connected and properly used.
- 11) **Do not abuse the cord**  
Never carry the controller by the cord or yank it to disconnect it from the socket.  
Keep the cord away from heat, oil and sharp edges.
- 12) **Secure work**  
Use clamps or a vice to hold the work. It is safer than using your hand and frees both hands to operate the controller.
- 13) **Do not overreach**  
Keep proper footing and balance at all times.
- 14) **Maintain controller care**  
Inspect controller cord periodically and if damaged, have it repaired by authorized service facility.
- 15) **Disconnect controller**  
When not in use, before servicing and when changing accessories such as blades, bits and cutters.

**16) Remove adjusting keys and wrenches**

Form the habit of checking to see that keys and adjusting wrenches are removed from the controller before turning it on.

**17) Avoid unintentional starting**

Do not carry a plugged-in controller with a finger on the switch. Ensure switch is off when plugging in.

**18) Use outdoor extension leads**

When controller is used outdoors, use only extension cords intended for outdoor use.

**19) Stay alert**

Watch what you are doing. Use common sense. Do not operate controller when you are tired.

**20) Check damaged parts**

Before further use of use the controller, a guard or other part is damaged should be carefully checked to determine that it will operate properly and perform its intended function. Check for alignment of moving parts, free running of moving parts, breakage of parts, mounting and any other conditions that may affect its operation. A guard or other part that is damaged should be properly repaired or replaced by an authorized service center unless otherwise indicated in this instruction manual. Have defective switches replaced by an authorized service facility. Do not use the controller if the switch does not turn it on and off.

**21) Warning**

The use of any accessory or attachment, other than those recommended in this instruction manual, may present a risk of personal injury.

**22) Have your controller repaired by a qualified person**

This controller is in accordance with the relevant safety requirements. Repairs should only be carried out by qualified persons using original spare parts, otherwise this may result in considerable danger to the user.

## 2. Grounding Instructions

The controller should be grounded while in use to protect the operator from electric shock. The controller is equipped with a three-conductor cord and three-prong grounding-type plug to fit the proper grounding-type receptacle. The green (or green and yellow) wire in the cord is the grounding wire. Never connect the green (or green and yellow) wire to a live terminal.

Green and yellow----- Earth  
Blue ----- Neutral  
Brown ----- Live

### **3. Installation Instructions**

1. Use the controller voltage recommended in the specification of this manual.
2. When using a commercial power supply be sure to set up circuit and safety breakers. You must also properly ground the mechanisms.
3. The temperature and humidity should be kept at appropriate levels.
4. Do not set up the power supply in a room that has poor ventilation and where it may be exposed to dust and metallic flakes.
5. Do not put heavy object on top of power supply or pile thing on it.
6. Attach the power supply securely to a flat, stable surface. If the power supply is put a high place, take special care to ascertain that there is no danger of it falling.
7. Keep bystanders away. Do not permit unauthorized personnel to operate this controller.
8. Do not set up the power supply near high voltage machinery or in an excessively noisy environment.
9. Avoid setting up or storing the power supply in wet or oily environments or where it might be exposed to corrosive or flammable gases.
10. We emphasize that the power supply should be placed in stable, fixed location.

### **4. Operations Cautions**

- 1) When plugging and unplugging the screwdriver's connecting cord and the electrical cord of the power supply, firmly grasp the plug portion of cord.
- 2) Do not tug on a cord to unplug it or put it near oil or hot objects. Also be sure that it does not rub against sharp edges.
- 3) Do not drop the power supply or treat it roughly.
- 4) Use ONLY the designated KILEWS screwdriver. Do not use the power supply with any other mechanisms.
- 5) If the power supply overheats; the breaker behaves abnormally stop the mechanism's operation and send it in for repair.
- 6) Please do not recklessly dismantle the power supply and attempt to make repairs on your own.
- 7) SKD-1 and SKD-2 are not suit to following Screwdrivers : SKD-5300LF & SKD-5300PF



## 6. Servicing

### Maintenance and Inspection :

1. The controller must be operated in top condition, one day working hour must be not more than eight hours.
2. Pls note don't let the controller get over heated, every minute use 10~15 screws to operate.
3. The frequency use of this electric screw driver is over eight hours a day, still it needs periodically testing and treatment. Every 5-6 months.

### CAUTION

1. The use of other than genuine KILEWS replacement parts may result in decreased controller performance and increased maintenance, and may invalidate all warranties.
2. The repairs and maintenance of this controller must be performed by an authorized service center.
3. KILEWS is not responsible for customer modification of controller for applications on which KILEWS was not consulted.
4. Repairs should be made only by authorized, trained personnel. Consult your nearest KILEWS authorized service center.
5. It is the responsibility of the employer to place the information in this manual into the hands of the operator.

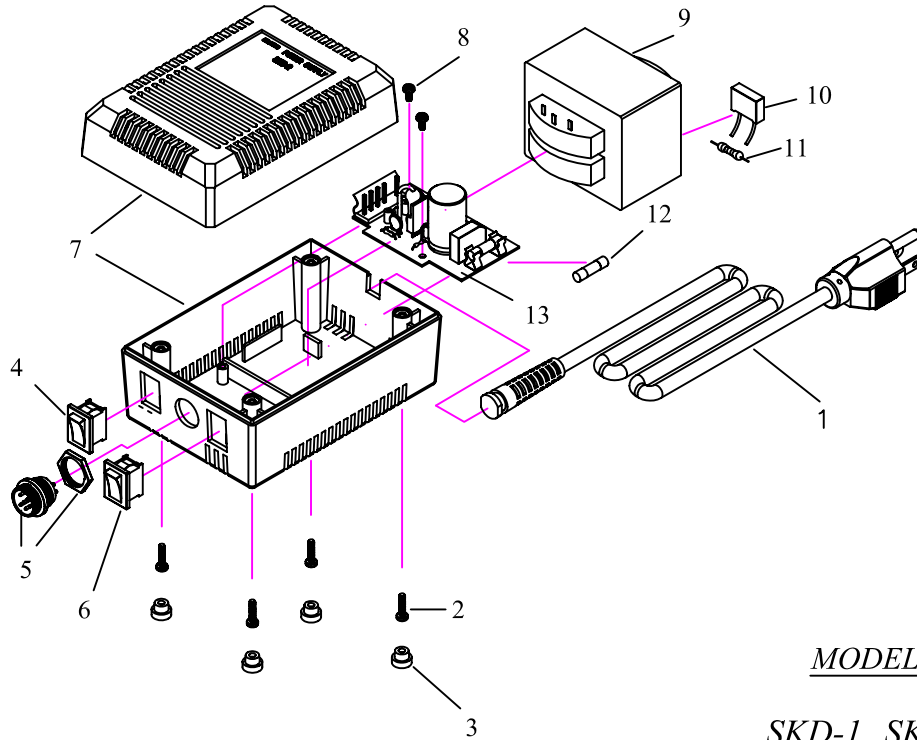
### NOTICE

## MAINTENANCE DO NOT ATTEMPT TO REPAIR THIS CONTROLLER

All repairs and maintenance of the Controller and its cord must be performed by authorized service center

**SAVE THESE INSTRUCTIONS  
DO NOT DESTROY**

# POWER CONTROLLER



MODEL :

SKD-1 SKD-2

CUSTOMER	DATE	PRODUCTION NO.
ITEM NO.	REVISED	
TITLE	DATE	THIRD ANGLE PROJECTION
CHKD BY	DATE	UNIT
APPROV	DATE	SCALE
		EST. NO.
		PP. SHEET

KILEWS INDUSTRIAL CO., LTD.

No:	PARTS No:	PARTS NAME-E	PARTS NAME-C	QTY
1	AA5003	CORD USA-PLUG	电源线 美式三插	1
	AA5003-1	CORD EUO-PLUG	电源线 欧式三插	1
	AA5003-2	CORD AUS-PLUG	电源线 澳式三插	1
	AA5003-3	CORD BRI-PLUG	电源线 英式三插	1
	AA5003-4	CORD JAP-PLUG	电源线 日式三插	1
2	CH30003	SCREW	螺丝	4
3	CH20102-9	RUBBER SHIM	脚垫	4
4	P11401-2	POWER SWITCH	电源开关	1
5	PZ50163	PLUG SET	铁插头半成品	1
6	P11402-1	SPEED SWITCH (SKD-1,SKD-2)	HI/LO开关SKD-1, SKD-2用	1
7	P11007	HOUSING (SKD-1,SKD-2)	外壳SKD-1, SKD-2用	1
8	CH20102-5	SCREW	螺丝	2
9	P11111	TRANSFORMER (SKD-1)	变压器 SKD-1 用(输入115V)	1
	P11112	TRANSFORMER (SKD-2)	变压器 SKD-2 用(输入230V)	1
10	E30202	CAPACITOR	电容器	1
11	E30106	RESISTOR	电阻	1
12	E31501-3	FUSE 115V 1.75A (SKD-1,SKD-3)	保险丝 115V 1.75A SKD-1, SKD-3用	1
13	EG50101	P.C.B.	P. C. B.	1