

OPERATION AND MAINTENANCE MANUAL

**SKP-32HL
SKP-32VR**

**CONTROLLER
OF
LOW VOLTAGE METAL ASSEMBLY SCREW DRIVER**



KILEWS INDUSTRIAL CO., LTD.

6FL., NO.30, HWA CHENG ROAD, HSIN CHANG CITY, TAIPEI TAIWAN.
PHONE : 886-(2)2997-1912~3 FAX : 886-(2)2996-9023

1. Important Safety Instructions

1) Keep work area clean

Cluttered areas and benches invite injuries.

2) Consider work area environment

Do not expose power tools to rain. Do not use power tools in damp or wet locations. Keep work area well lit. Do not use power tools where there is risk to cause fire or explosion.

3) Guard against electric shock

Avoid body contact with earthed or grounded surfaces (e.g. pipes, radiators, ranges, refrigerators).

4) Keep children away

Do not let visitors touch the tool or extension cord. All visitors should be kept away from work area.

5) Store idle tools

When not in use, tools should be stored in a dry, high or locked up place, out of reach of children.

6) Do not force the tool

It will do the job better and safer at the rate for which it was intended.

7) Use the right tool

Do not force small tools or attachments to do the job of a heavy duty tool. DO not use tools for purposes not intended; for example, do not use circular saws to cut tree limbs or logs.

8) Dress properly

Do not wear loose clothing or jewellery, they can be caught in moving parts. Rubber gloves and non-skid footwear are recommended when working outdoors. Wear protecting hair covering to contain long hair.

9) Use safety glasses

Also use face or dust mask if the cutting operation is dusty.

10) Connect dust extraction equipment

If devices are provided for the connection of dust extraction and collection facilities ensure these are connected and properly used.

11) Do not abuse the cord

Never carry the tool by the cord or yank it to disconnect it from the socket, Keep the cord away from heat, oil and sharp edges.

12) Secure work

Use clamps or a vice to hold the work. It is safer than using your hand and frees both hands to operate the tool.

13) Do not overreach

Keep proper footing and balance at all times.

14) Maintain tools with care

Keep cutting tools sharp and clean for better and safer performance. Follow instructions for lubrication and changing accessories. Inspect tool cord periodically and if damaged have it repaired by an authorized service facility. Inspect extension cords periodically and replace, if damaged. Keep handles dry, clean and free from oil and grease.

15) Disconnect tools

When not in use, before servicing and when changing accessories such as blades, bits and cutters.

16) Remove adjusting keys and wrenches

Form the habit of checking to see that keys and adjusting wrenches are removed from the tool before turning it on.

17) Avoid unintentional starting

Do not carry a plugged-in tool with a finger on the switch. Ensure switch is off when plugging in.

18) Use outdoor extension leads

When tool is used outdoors, use only extension cords intended for outdoor use.

19) Stay alert

Watch what you are doing. Use common sense. Do not operate tool when you are tired.

20) Check damaged parts

Before further use of the tool, a guard or other part is damaged should be carefully checked to determine that it will operate properly and perform its intended function. Check for alignment of moving parts, free running of moving parts, breakage of parts, mounting and any other conditions that may affect its operation. A guard or other part that is damaged should be properly repaired or replaced by an authorized service center unless otherwise indicated in this instruction manual. Have defective switches replaced by an authorized service facility. Do not use the tool if the switch does not turn it on and off.

21) Warning

The use of any accessory or attachment, other than those recommended in this instruction manual, may present a risk of personal injury.

22) Have your tool repaired by a qualified person

This electric tool is in accordance with the relevant safety requirements. Repairs should only be carried out by qualified persons using original spare parts, otherwise this may result in considerable danger to the user.

WARNING !**DO NOT OPERATE THIS TOOL WITHOUT
PROTECTIVE EARTH CONNECTED**

2. Grounding Instructions

The tool should be grounded while in use to protect the operator from electric shock. The tool is equipped with a three-conductor cord and three-prong grounding-type plug to fit the proper grounding-type receptacle. The green (or green and yellow) conductor in the cord is the grounding wire. Never connect the green (or green and yellow) wire to a live terminal.

Green and yellow----- Earth
Blue ----- Neutral
Brown ----- Live

3. Installation Instructions

1. Use the controller voltage recommended in the specification of this manual.
2. When using a commercial power supply be sure to set up circuit and safety breakers. You must also properly ground the mechanisms.
3. The temperature and humidity should be kept at appropriate levels.
4. Do not set up the power supply in a room that has poor ventilation and where it may be exposed to dust and metallic flakes.
5. Do not put heavy object on top of power supply or pile thing on it.
6. Attach the power supply securely to a flat, stable surface. If the power supply is put a high place, take special care to ascertain that there is no danger of it falling.
7. Keep bystanders away. Do not permit unauthorized personnel to operate this controller.
8. Do not set up the power supply near high voltage machinery or in an excessively noisy environment.
9. Avoid setting up or storing the power supply in wet or oily environments or where it might be exposed to corrosive or flammable gases.
10. We emphasize that the power supply should be placed in stable, fixed location.

SAVE THESE INSTRUCTION

NOTICE

The use of other than genuine KILEWS replacement parts may result in decreased controller performance and increased maintenance, and may invalidate all warranties.

4. Operations Cautions

- 1) When plugging and unplugging the screwdriver's connecting cord and the electrical cord of the power supply, firmly grasp the plug portion of cord.
- 2) Do not tug on a cord to unplug it or put it near oil or hot objects. Also be sure that it does not rub against sharp edges.
- 3) Do not drop the power supply or treat it roughly.
- 4) Use ONLY the designated KILEWS screwdriver. Do not use the power supply with any other mechanisms.
- 5) If the power supply overheats; the breaker behaves abnormally stop the mechanism's operation and send it for repair.
- 6) Please do not recklessly dismantle the power supply and attempt to make repairs on your own.

5. Specifications

Power Supply Model	SKP-32HL	SKP-32VR
Input Voltage	AC 100~240V	50 / 60 Hz
Downstream Output Voltage	24/32Vdc	24~32Vdc
Downstream Capacity	5A Max.	
Outside Dimensions(mm)	160 *75 *55	
Weight(kg)	0.5(main body)	
AC Cord Length	2M with ground	
Suitable Model	SKD-2000L SKD-2200L SKD-2300L SKD-5200L SKD-5200P SKD-5300L SKD-5300P SKD-5300LF SKD-5300PF SKD-7000L SKD-7000P SKD-7200L SKD-7200P SKD-7800L SKD-7800P SKD-7800LF SKD-7800PF SKD-8300L SKD-8300P SKD-8400L SKD-8400P SKD-8500L SKD-8500P SKD-8300LF SKD-8300PF	

6. Servicing

Maintenance and Inspection :

1. The controller must be operated in top condition, one day working hour must be not more than eight hours.
2. Pls note don't let the controller get over heated, every minute use 10~15 screws to operate.
3. The frequency use of this electric screw driver is over eight hours a day, still it needs periodically testing and treatment. Every 5-6 months.

CAUTION

1. The use of other than genuine KILEWS replacement parts may Result in decreased tool performance and increased maintenance, and may invalidate all warranties.
2. All repairs and maintenance of this tool and its word must be performed by an authorized service center.
3. KILEWS is not responsible for customer modification of tools for applications on which KILEWS was not consulted.
4. Repairs should by made only by authorized, trained personnel. Consult your nearest KILEWS authorized service center.
5. It is the responsibility of the employer to place the information in this manual into the hands of the operator.

DO NOT ATTEMPT TO REPAIR THIS EQUIPMENT

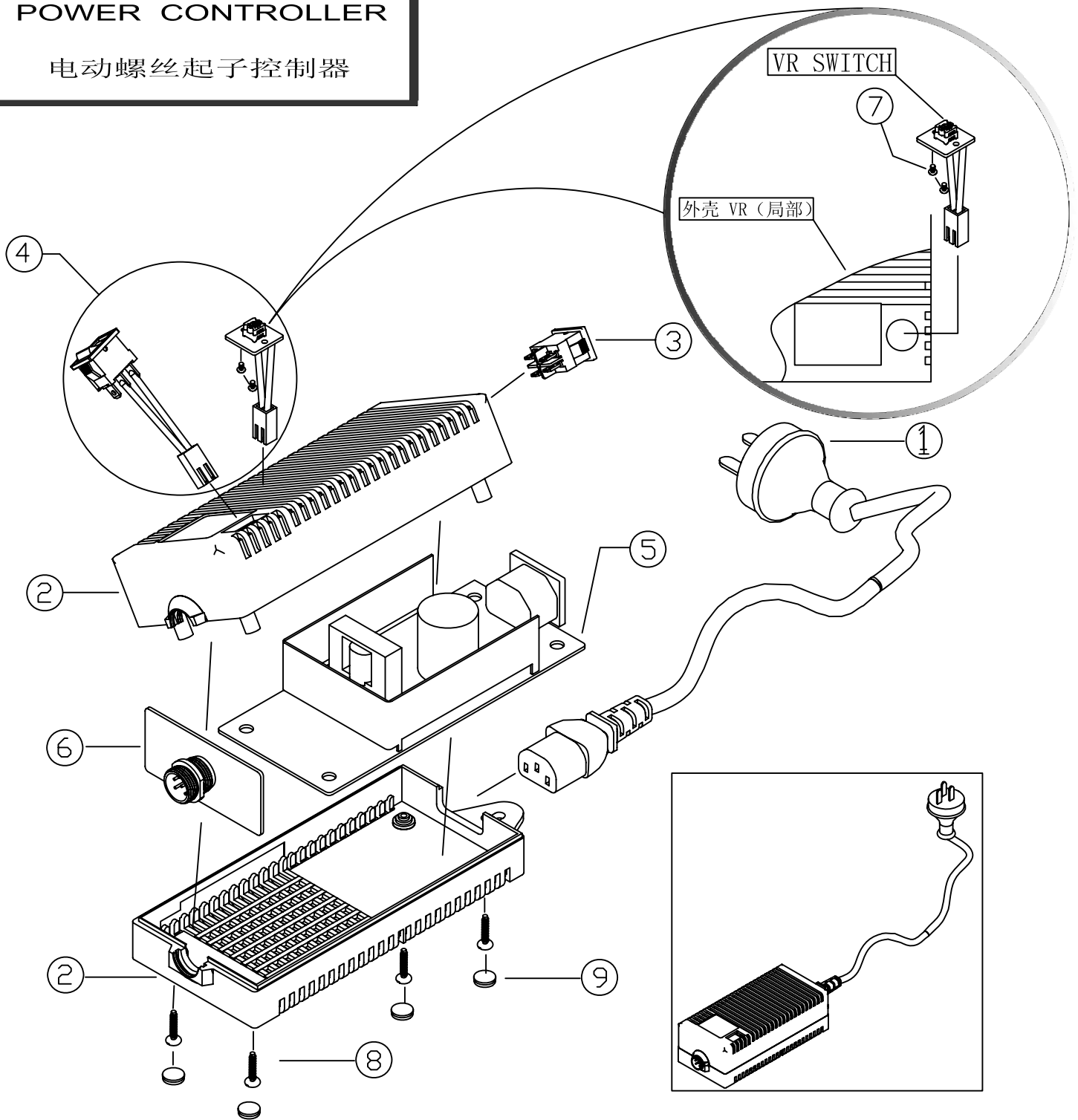
All repairs and maintenance of the Controller and its cord must be performed by authorized service center

CAUTION

**SAVE THESE INSTRUCTIONS
DO NOT DESTROY**

POWER CONTROLLER

电动螺丝起子控制器



No	PARTS No	PARTS NAME-E	PARTS NAME-C	Q, TY
1	AA50002	CORD USA-PLUG	美规计算机插头电源线	1
	AA50002-1	CORD AUS-PLUG	澳规计算机插头电源线	1
	AA50002-2	CORD EUO-PLUG	欧规计算机插头电源线	1
	AA50002-3	CORD BRI-PLUG	英规计算机插头电源线	1
2	P11009	HOUSING HI/LO (1SET)	外壳 HI/LO (整组)	1
	P11009-2	HOUSING VR (1SET)	外壳 VR (整组)	1
3	P11401-4	POWER SWITCH	电源开关	1
4	HC10001	VR SWITCH	微调开关	1
	HC10003	HI/LO SWITCH	HI/LO开关	1
5	EG50101-4	PCB-POWER SUPPIY FOR VR	电源机板 (VR)	1
	EG50101-6	PCB-POWER SUPPIY FOR HI-LO	电源机板 (HI-LO)	1
	EG50101-4-CE	PCB-POWER SUPPIY FOR VR"CE"	电源机板 (VR) CE	1
	EG50101-6-CE	PCB-POWER SUPPIY FOR HI-LO"CE"	电源极板 (HI-LO) CE	1
6	EG50101-5	PCB-CONTROLLER BOARD	控制机板	1
7	CH90121	SCREW	VR机板螺丝	2
8	CH30003	SCREW	外壳螺丝	4
9	CH20102-9	RUBBER SHIM	脚垫	4